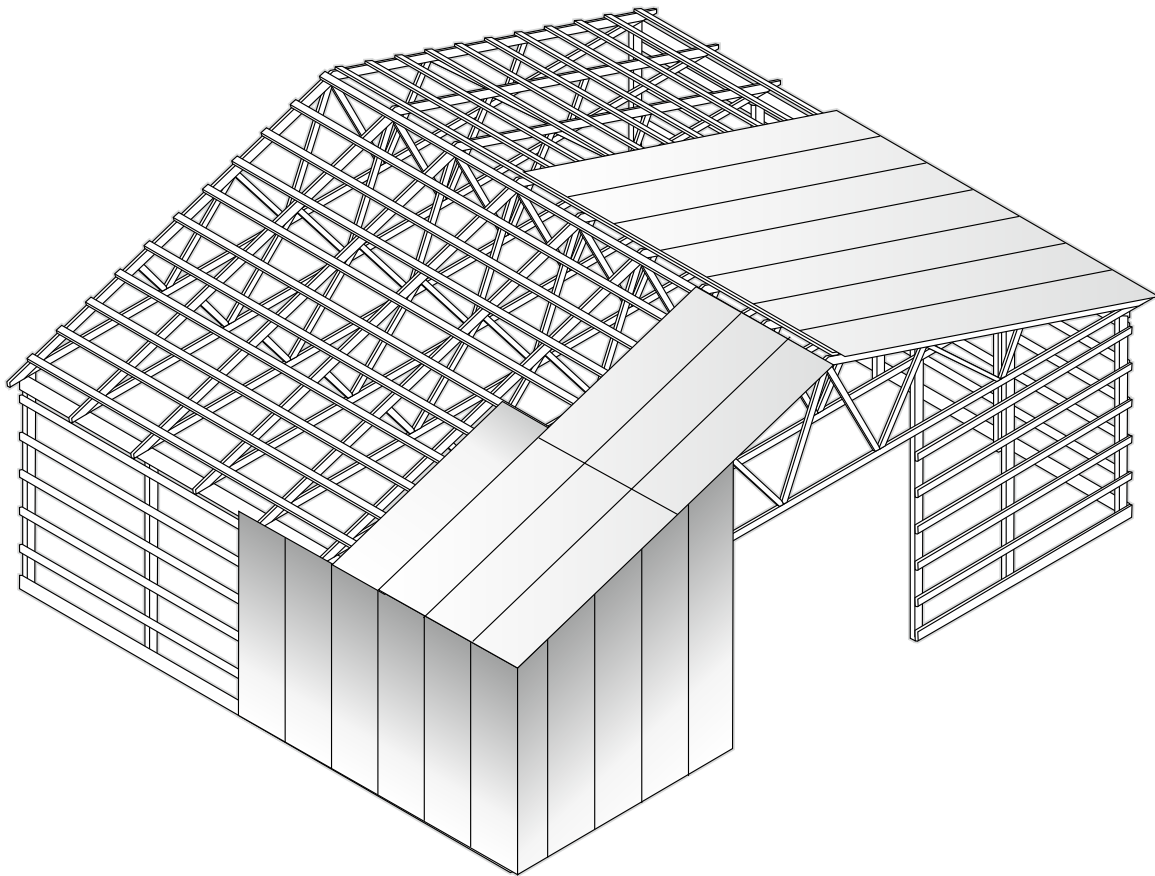


WAGLER PANEL INSTALLATION GUIDE



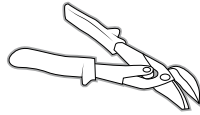


INSTALLATION GUIDE

Safety when handling	2
Storage	2
Purlin placement, over existing roofs (double bubble)	3
Installation with screws (screw placement)	3
Sidewall metal installation	5
Roof metal installation	6
How different trims are used	7-11

Handling the Wagler Panel (36" corrugated panel with ribs every nine inches).

Use caution when handling or installing the Wagler Panel. Improper work practices can cause extreme bodily injury. Use gloves and safety goggles when handling, cutting, and installing the Wagler Panel. Do not attempt to handle or install during high winds or rain. Wind can blow the panels, and they are slippery when wet. Use proper safety gear and consult OSHA guidelines. Be careful when moving the panels with a forklift. Panels over 20' long should only be picked up with a lift with a spreader bar. Also do not drag panels over each other. This can result in scratched paint. Use snips or nibblers to cut panels. Do not use saws.



Use



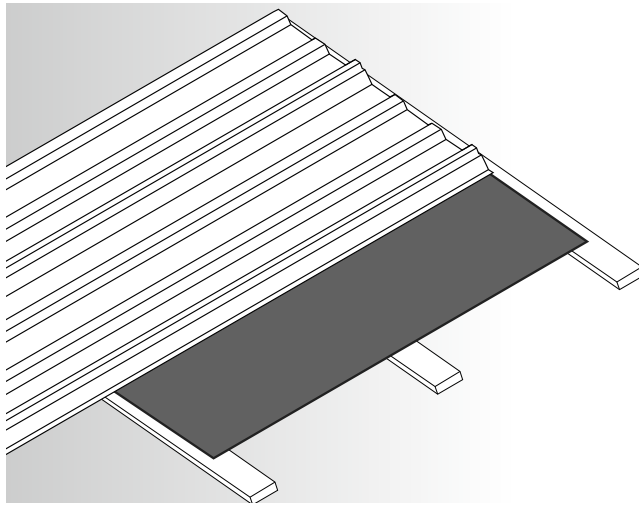
Do Not Use

Storage

Wagler Panels should be stored in a dry place. Metal should not be stored outside for an extended period of time. Do not depend on our cover sheet to keep panels dry. When water collects between the panels, it can sit in there for a long time and can cause damage to the paint. Do not cover panels with plastic or canvas, as it can cause sweating and condensation.

Purlin Placement

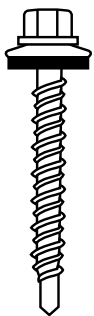
Wagler Panels are designed to be installed on purlins. 2x4 or 1x4 material should run opposite of the metal ribs. Purlins should be installed every 24" on center. Purlins should be securely fastened into rafters with 16 penny nails or long deck-type screws. Wet hardwoods should not be used for purlins. The Wagler Panel can be installed over existing shingles. It is recommended that purlins be installed over the shingles, and vapor barrier double bubble insulation be installed over the purlins. Metal should not be installed directly on shingles without some type of vapor barrier. Double bubble should also be used in livestock buildings to extend the life of the metal, and in open post frame buildings to reduce sweating and condensation in the metal.



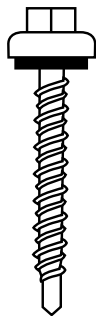
Screw Placement

Wagler Panels should be installed with screws. #10 high-low color matched screw with a rubber washer is the most common choice. Also available is the ProZ 50 year warranty screw.

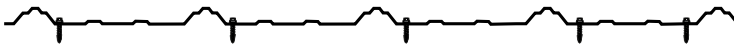
Standard Mini
Driller Screw



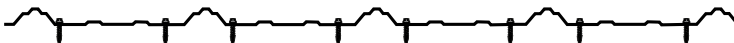
ProZ
50 Year Warranty



Roof Screw Pattern



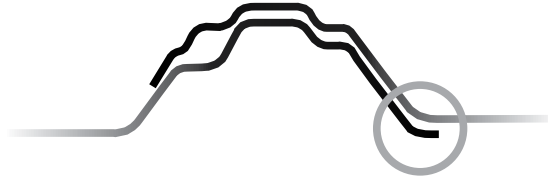
Eave Screw Pattern



Ridge Cap Screw Pattern



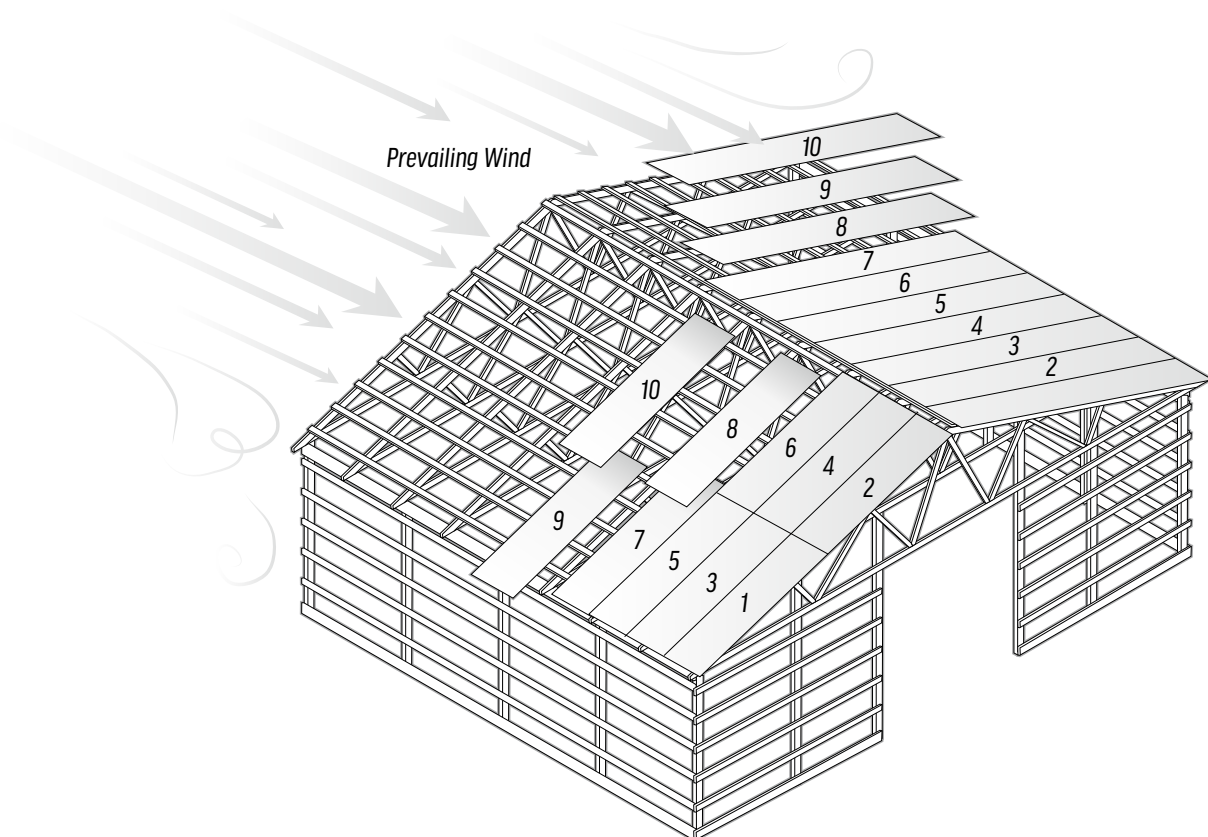
Roof Metal Installation



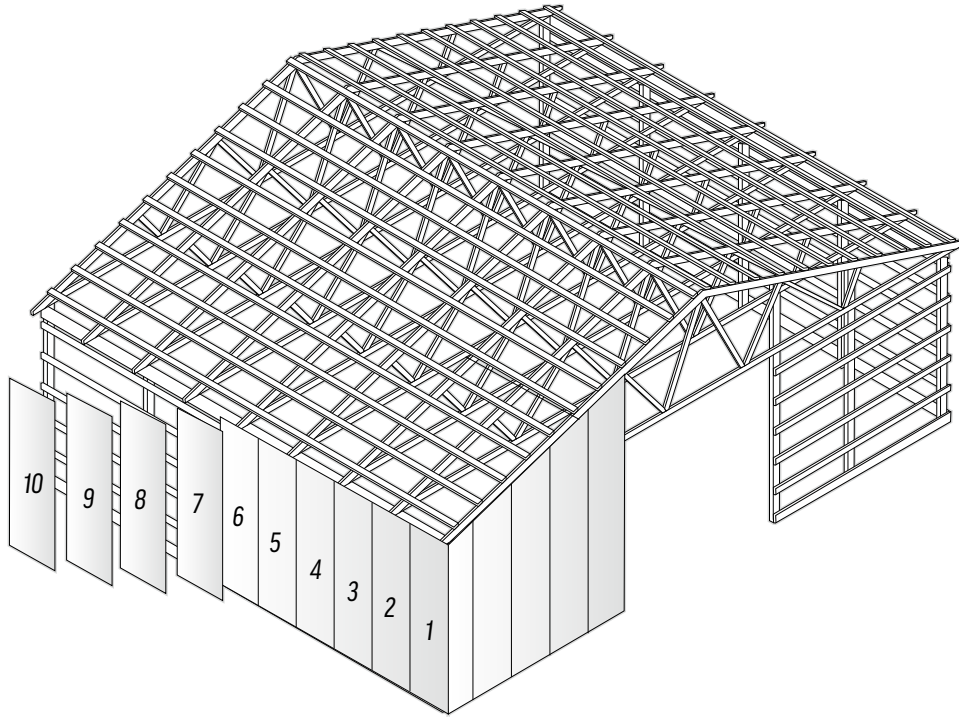
The Wagler Panels should be installed so that the finish lap is installed over the underlap, which has a small extra flange on it.

It is important to get your first piece square with the gable end and the bottom of the roof (eave) so that it continues to run straight along the eave. Snapping a chalk line near the bottom of the roof, and then marking each piece of metal is a good way to make sure it runs straight. If the roof is so long that it requires two panels, tack the bottom panel first. Then install the top panel and make sure the ribs line up. Panels should overlap 8" to 24". Keep screws at least 6" from the bottom of top panel.

Always make sure panels are securely fastened before stepping on them. Ladders, safety harnesses, and lifts should be used for safety. Consult OSHA guidelines. Do not pre-drill the roof metal. The heat and filings produced from the drilling can damage the panels. A chalk line can be used for straight lines. Screwing in the center of purlins as you go can also work, but lines will not be completely straight.

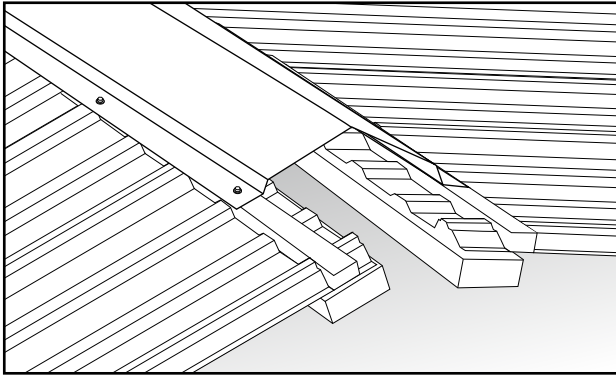


Sidewall Metal Installation

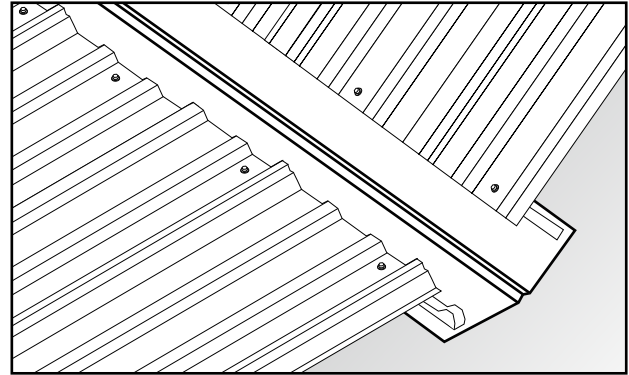


Wagler Panels are a durable, strong, and beautiful option to be used on the sides of buildings. Metal should be installed on purlins 24" on center. The metal should not contact the ground or pressure-treated lumber. Use a rat guard #5 along the bottom, and set the metal on top of it. To make straight screw lines on sidewalls, holes can be punched with a nail punch and hammer. Drilling holes with a power drill is not recommended. Chalk lines can also be snapped, but always wipe off chalk after installation.

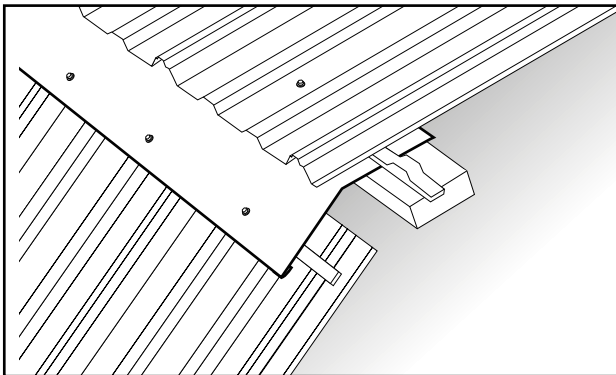
Roof Trim



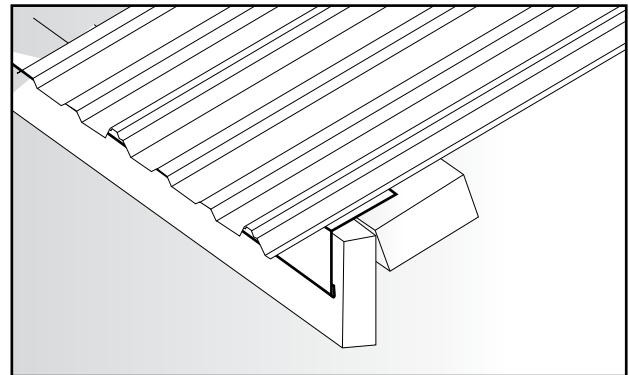
Ridge Cap



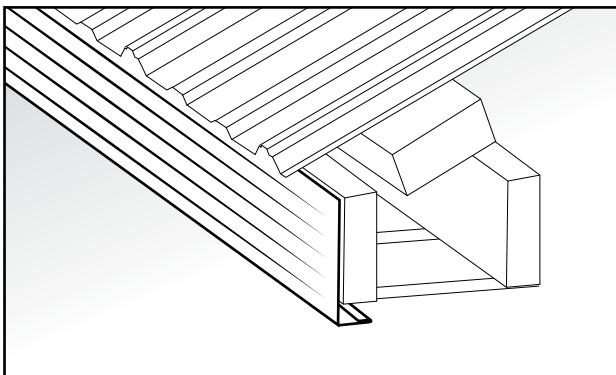
Valley Trim



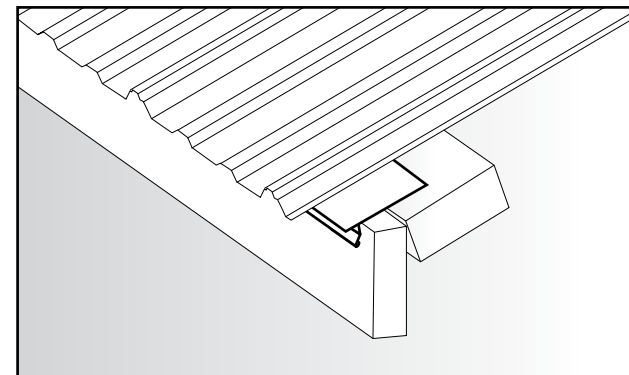
Gambrel Trim



Gutter Apron

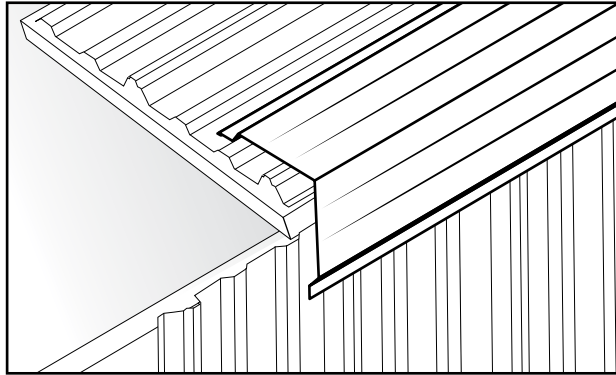


Fascia Trim
Ribbed or Smooth

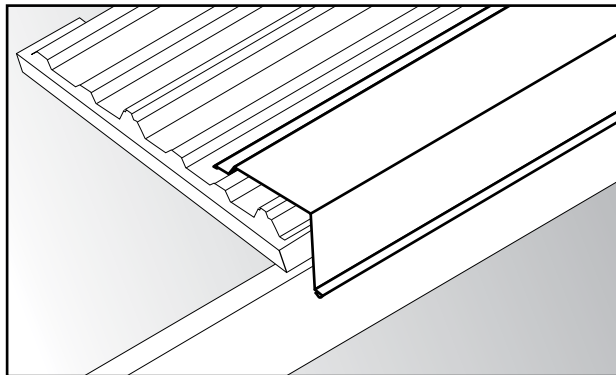


Residential Eave

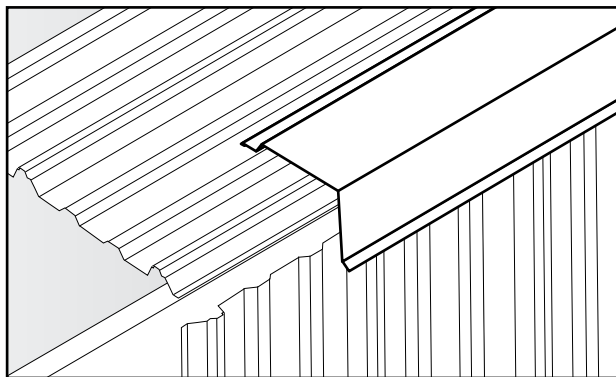
Roof to Wall Trim



Rake & Corner

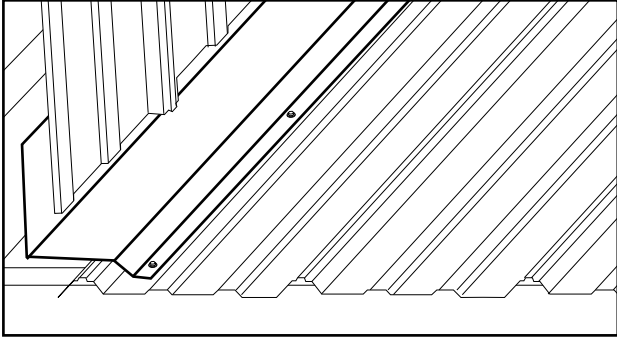


Residential Rake

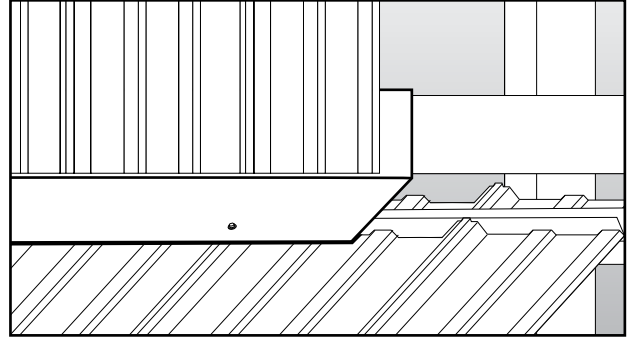


Gable Flashing

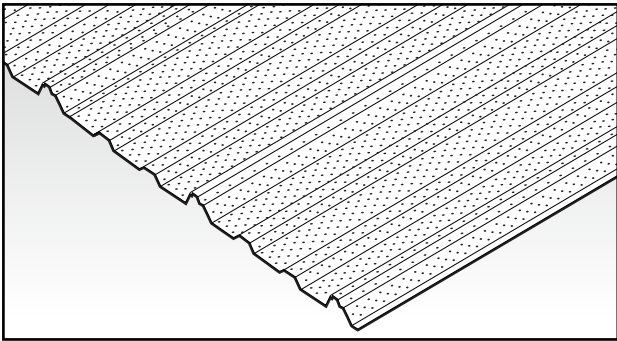
Wall to Roof Trim



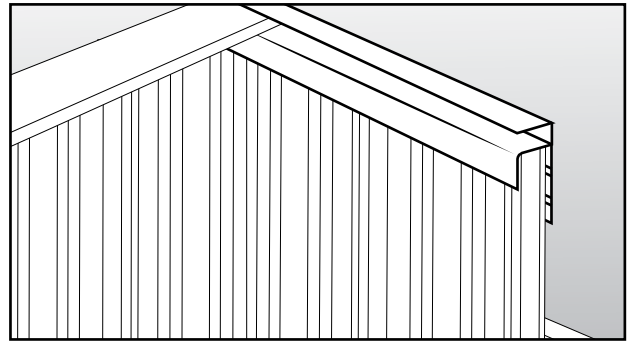
Sidewall Flashing



Universal Endwall

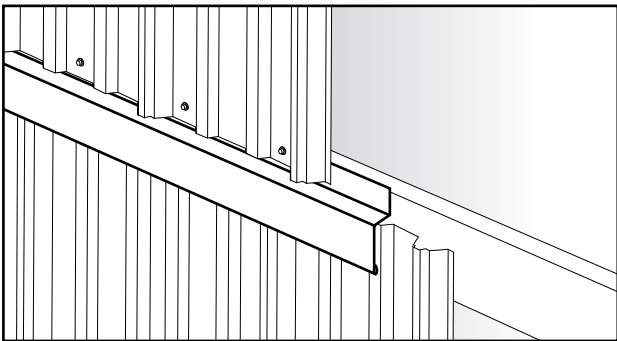


36" Soffit (perforated or solid)

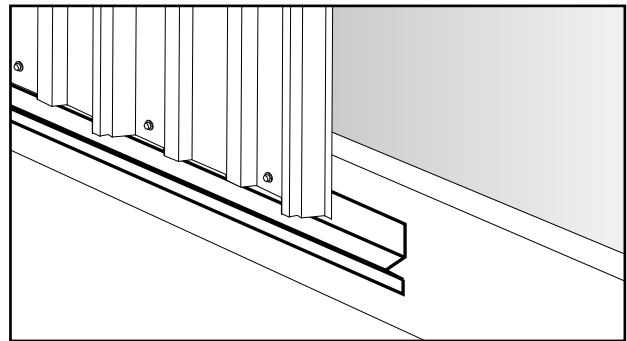


F&J Channel

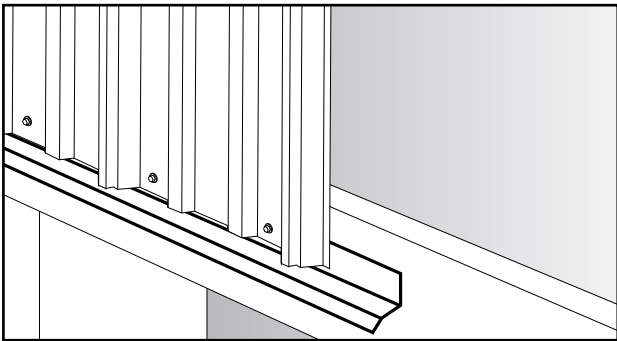
Wall Trim



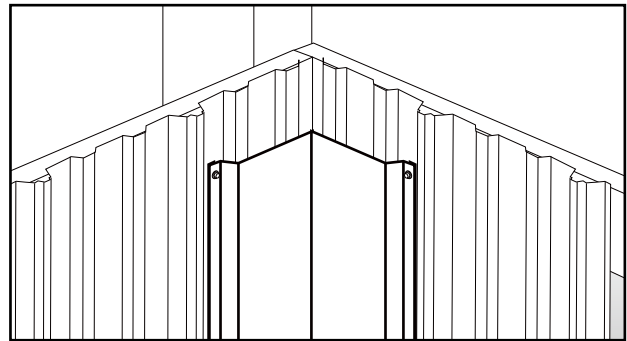
Double Angle



Rat Guard

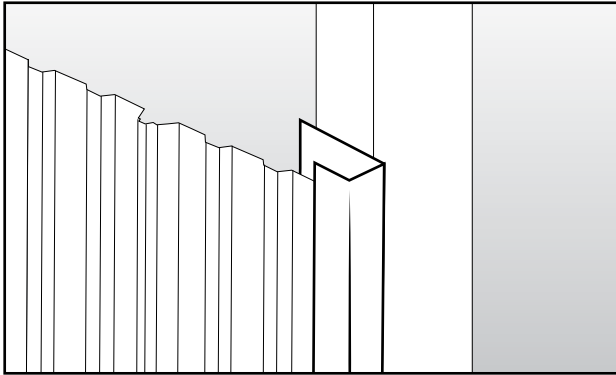


Drip Cap

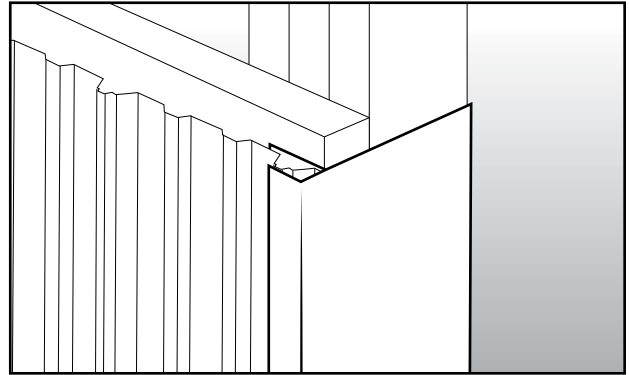


Inside Corner

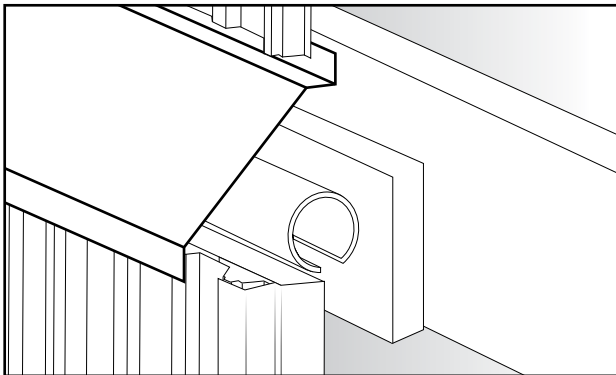
Door Trim



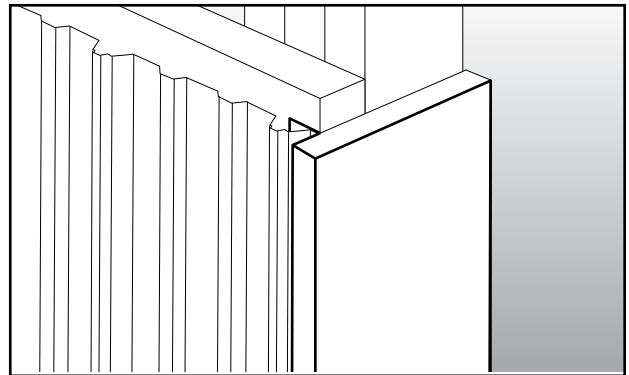
J Channel



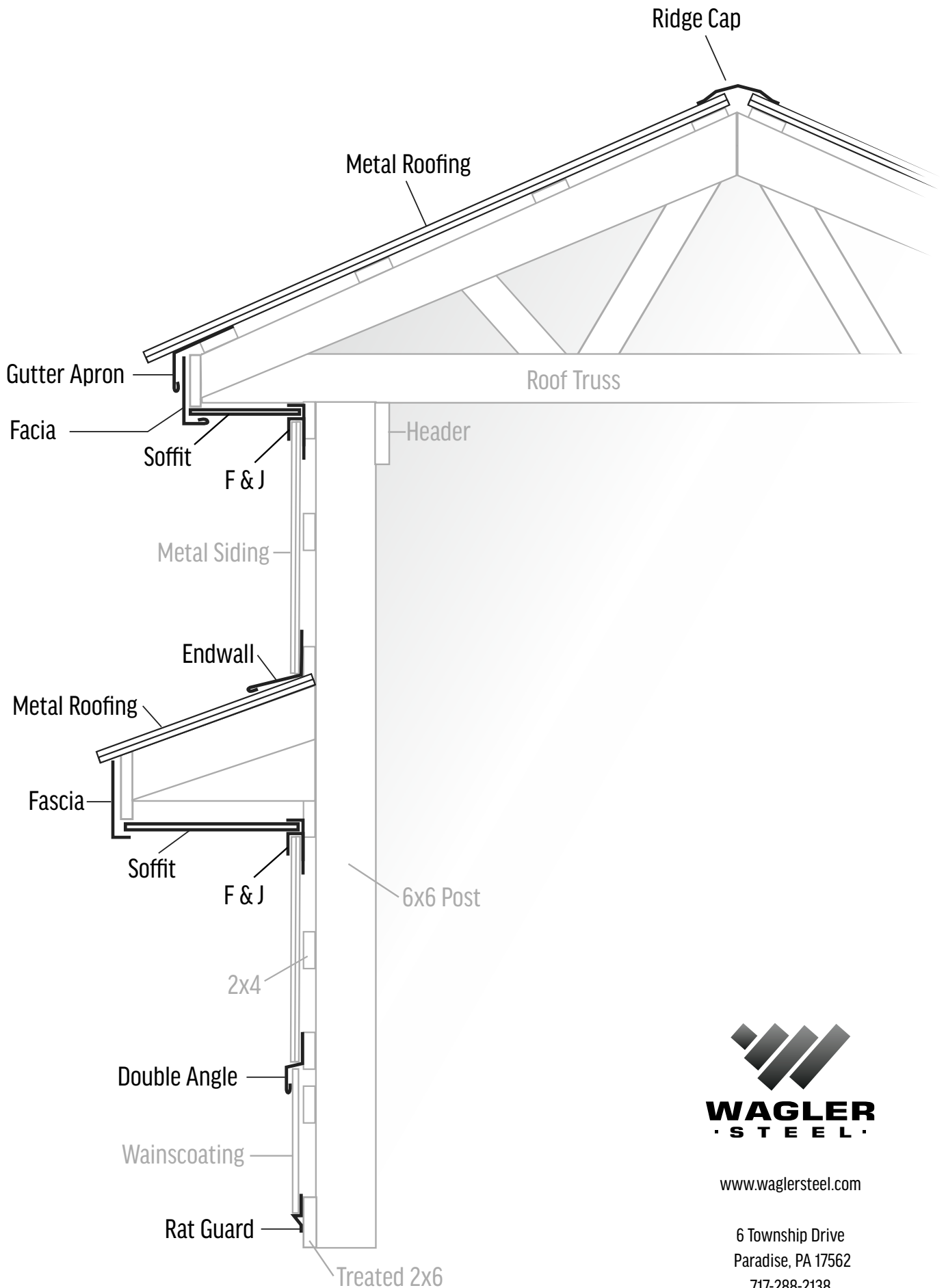
Overhead Door Trim



Track Cover



Slider Jamb Trim



www.waglersteel.com

6 Township Drive
 Paradise, PA 17562
 717-288-2138